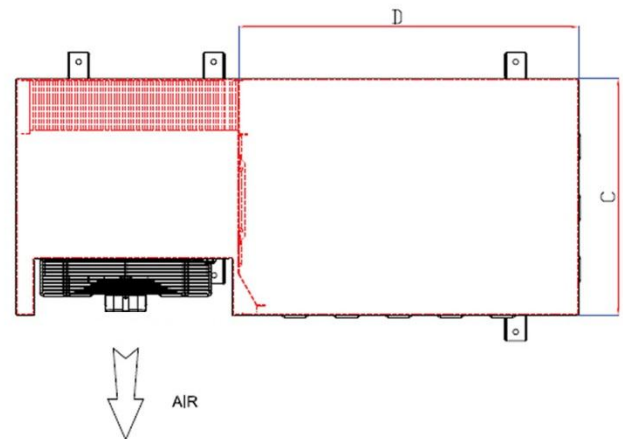
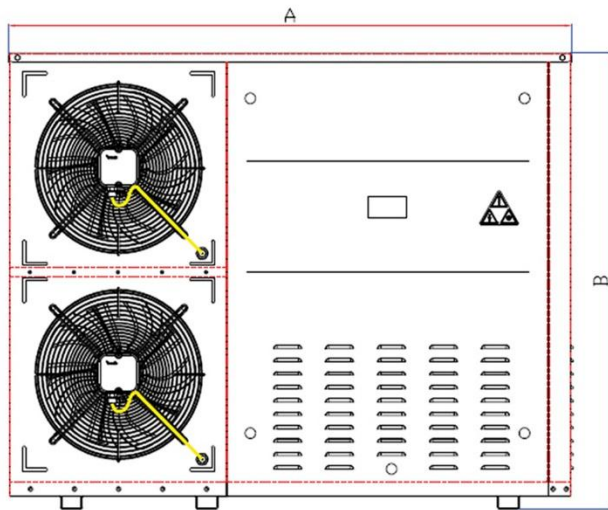


Condensing Unit



Power	Fan Diameter	A (mm)	B (mm)	C (mm)	D (mm)
1 Hp	1*350	950	560	350	500
1,5 Hp	1*400	1000	660	400	500
2 Hp	1*450	1000	660	400	500
2,5 Hp	1*450	1250	860	450	550
3 Hp	1*450	1250	860	450	550
4 Hp	1*500	1250	860	450	550
5 Hp	2*450	1350	1250	550	650
6 Hp	2*500	1350	1250	550	650
7 Hp	2*500	1350	1250	550	650
8 Hp	4*400	2100	1350	630	750
10 Hp	4*500	2100	1350	630	750
15 Hp	4*500	2450	1500	730	900
20 Hp	4*500	2450	1500	730	900